

# Tipton®

Gun Cleaning Supplies

## Ultra Cleaning Kit

Product #554400

Instructions #1039146



**STOP!**

If you have a problem with this product, **DON'T RETURN IT TO THE STORE WHERE YOU PURCHASED IT.** Contact customer service at...

**Battenfeld**  
Technologies, Inc.

5885 West Van Horn Tavern Road / Columbia, MO 65203  
573-445-9200 / Email: [sales@battenfeldtechnologies.com](mailto:sales@battenfeldtechnologies.com)  
Or visit our website @ [www.battenfeldtechnologies.com](http://www.battenfeldtechnologies.com)

**NOT WARRANTED AGAINST MISUSE, ABUSE, OR COMMERCIAL USE.**  
Limited Warranty

Every Tipton product is warranted to be free of defects in materials and workmanship for a period of one (1) year from the date of original purchase. Tipton will, at its option, repair or replace without charge, except for transportation costs, parts that fail under normal use and service when operated and maintained in accordance with our Instructions. This warranty does not apply to normal wear or to items whose life is dependent upon their use and care. This warranty is in lieu of all other warranties, expressed or implied and releases Tipton, its affiliates, and its vendors from all other obligations and liabilities.

### ATTENTION CUSTOMERS

Battenfeld constantly seeks to improve our products. As a result of these efforts, your package may include components that vary slightly in appearance from product photos on packaging or instructions.

Thank you for purchasing the Tipton® Ultra Cleaning Kit. This kit contains the highest quality components on the market and is designed to perform precision cleaning. Please read all instructions thoroughly.

Please follow all general gun safety practices while cleaning firearms.

## CONTENT:

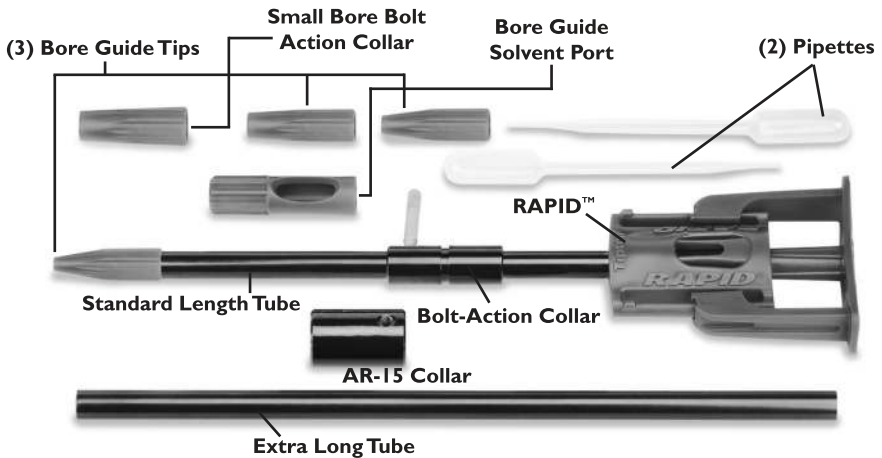
- A** Premium 3-piece Stainless Steel Rod
- B** Rapid Deluxe Bore Guide Kit
- C** 26 Piece Ultra Jag and Best Bore Brush Set
- D** AR-15 Bolt Carrier Brush
- E** AR-15 Action Brush
- F** 2 general purpose brushes
- G** 4 polymer gun cleaning picks



# Rapid Deluxe Bore Guide



The Tipton RAPID Deluxe Bore Guide Kit contains several great tools that ensure the safest, easiest, and most effective cleaning possible. Contents of kit shown below.



RAPID allows you to easily align and secure a patch for solvent application, then holds it with the correct amount of tension for perfect jag penetration. When the rod is pushed into the RAPID, it automatically releases the patch. It also keeps harmful solvents off your gun's finish in the process.



## Why use a Bore Guide

The use of a bore guide protects the critical surfaces of the rifle bore. Damage to the chamber can take place when cleaning components such as jags, brushes and the rod come in contact with these precision surfaces. The use of a Bore Guide maintains a central location of these components and controls rod flex while cleaning. A Bore Guide also keeps solvents and oils out of the action.

## How to use the Basic Bore Guide

1. Install the appropriate tip for your rifle
2. Remove bolt and insert guide
3. Adjust sliding collar for snug fit into chamber and tighten thumbscrew and you are ready to clean.

Three interchangeable tips cover most calibers from .17 to .460.

**Note:** The tips insert into the chamber and chamber dimensions do not directly correlate to bore diameter, select the tip that provides the best fit for any given cartridge.

**SMALL:** most cartridges .17 - .24 (up to 6mm)

**MEDIUM:** most cartridges .25 - .30 (6.5mm - 7.62mm)

**Large:** most cartridges over .30 (over 7.62mm)

- Compatible with rods up to .425" in diameter.
- Adjustable position sliding collar for bolt actions works with most centerfire rifles. Fits bolt diameters .695" and larger.
- AR-15 collar fits securely inside receiver of AR-15 style rifles.

## How to configure the RAPID

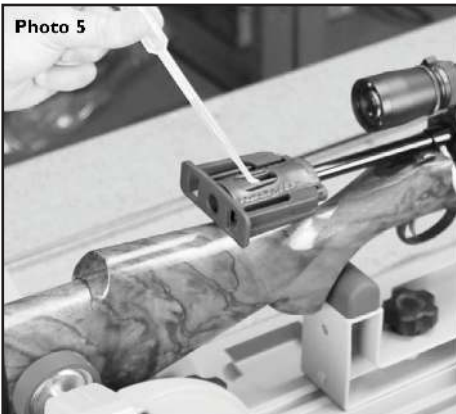
The Patch Plug (1004361), must be configured for either 17-30 or 30-50 CAL patch sizes.

1. Remove the Patch Plug (1004361) by using a light pulling motion until the components are fully separated. Apply equal force to both rails of the RAPID. (**See Photo 1 and 2**)
2. Choose the correct patch range as indicated on the push bar, 17-30 or 30-50 and align your selection to the same side as the solvent port. This step is necessary due to different built-in stops for the two patch ranges.
3. Align both rails and apply equal force to reassemble.



## How to use the RAPID

1. Fully open the RAPID and insert a patch between the Patch Plug and the Patch Port. It is important that the patch be centered in front of the Patch Plug cone. **(See Photo 3)**
2. Simultaneously release the patch to maintain a central location while closing the RAPID. **(See Photo 4)**
3. Apply solvent or oil through the hole in the top using a Pipette to wet the patch. **(See Photo 5)**
4. The RAPID will hold the patch until it has been pierced by the jag, continue to push the rod until the RAPID releases the patch. **(See Photo 6)**



# 3-piece Stainless Steel Rod

The Tipton Premium 3 Piece Cleaning Rod was designed to be the highest quality most durable multi section cleaning rod on the market.



**Photo 7**



The Tipton Premium 3 Piece Cleaning Rod has a groove indicating the 8/32 threaded end for use with jages or brushes. **(See Photo 7)**

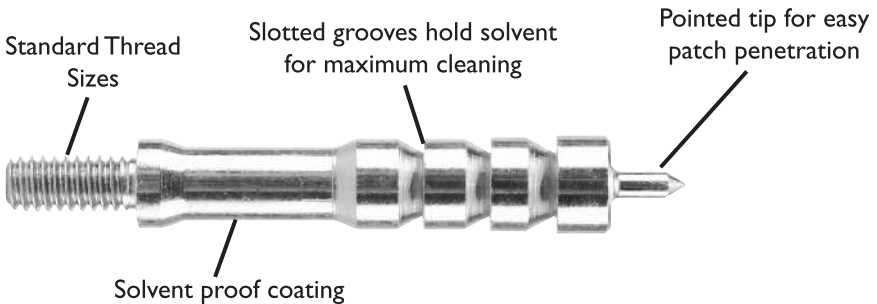
The Rod is .205" diameter and should only be used with .22 caliber and larger guns.

Compatible with 8/32 thread accessory tips.

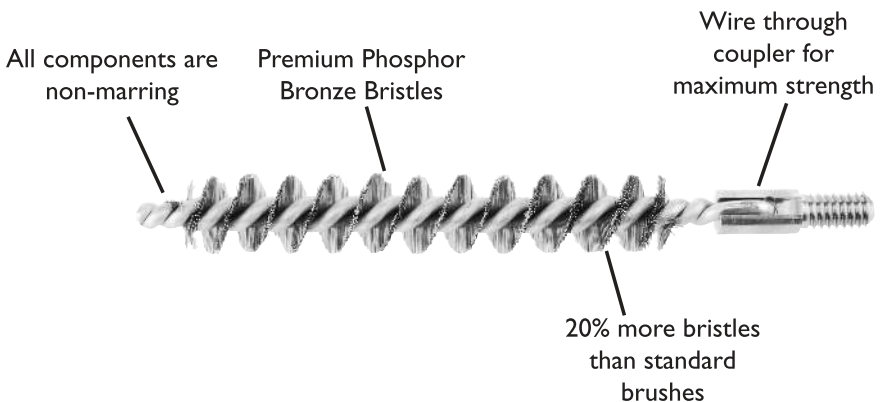
# 26 Piece Ultra Jag and Best Bore Brush Set

Tipton Ultra Jag and Best Bore Brush Sets contain the highest quality cleaning tips on the market. The conveniently packaged caliber specific sets of Jags and brushes provides a precision fit across all calibers. The cleaning jags are the fastest way to thoroughly clean, dry, or oil the bore. Each jag is designed to provide a tight fit between the patch and the bore. A pointed tip keeps the patch centered and allows it to drop off when exiting the muzzle. Best Bore Brushes are ideal for breaking down copper, lead or powder fouling.

## Ultra Jag



## Best Bore Brush





**5885 West Van Horn Tavern Road / Columbia, MO 65203**  
**573-445-9200 / Email: [sales@battenfeldtechnologies.com](mailto:sales@battenfeldtechnologies.com)**